

Student Name: _____

Advisor: _____

Date: _____



Computer Science + Economics Major (CS+ECON) BSLAS

requirements worksheet

This is a guide for course planning in the Econ Major and is not intended to convey graduation requirements in totality.

Please see Computer Science and Economics Academic Advisors, and your LAS Records Officer throughout college to confirm requirement completion.

Schedule Econ Appointments: my.atlas.illinois.edu/advising/

Econ information: www.economics.illinois.edu/undergrad/info/

General Education Requirements

- Composition I**
RHET 105; CMN 111 & 112; ESL 111 & 112; or ESL 115
- Advanced Composition** _____
Completed AFTER Composition I
- Quantitative Reasoning I & II**
Typically fulfilled by Calculus I & II
- Western Cultures (1 Course)** _____
- Non-Western (1 Course)** _____
- US Minority (1 Course)** _____
- Language Other than English**
Completion of 4th Level of one; or 3rd Level of two
- Humanities & Arts (6 Hours)** _____
Historical & Philosophical Perspectives or Literature & Arts
- Social & Behavioral Sciences (6 Hours)**
Typically fulfilled by ECON 102 & 103
- Natural Sci. & Tech. (6 Hours)** _____
Life Sciences or Physical Sciences

*Students Entering
Prior to Fall 2018
only need 1 course
for Non-Western
OR U.S. Minority
Culture*

Additional Major Requirements

- MATH 220 or 221 Calculus I**
No Substitutions; Prerequisite: Current ALEKS Math Placement Score
- MATH 231 Calculus II**
No Substitutions; Prerequisite: MATH 220 or 221
- MATH 225 Introduction to Matrix Theory**
or MATH 415 (Applied Linear Algebra) or MATH 416 (Abstract Linear Algebra)

Graduation Requirements

- 120 Total Hours. Remaining: _____ (_____ In Progress)
- 60 Hours at ILLINOIS. Remaining: _____
- 21 Advanced Hours (300/400-level) at ILLINOIS. Remaining: _____

96 Hours in LAS (up to 24 count outside LAS). Outside LAS: _____
Minimum ILLINOIS GPA 2.00/4.00 Required (Overall & Major)

ECON Courses Major Requirements

- ECON 102 Microeconomic Principles
 - ECON 103 Macroeconomic Principles
 - ECON 202 Economic Statistics I
Prerequisite: Calculus
 - ECON 203 Economic Statistics II
Prerequisite: ECON 202 & Calculus
 - ECON 302 Intermediate Micro Theory
Prerequisite: ECON 102 & Calculus
- Additional ECON Advanced 400-level (12 Hours)**
- ECON _____
 - ECON _____
 - ECON _____
 - ECON _____

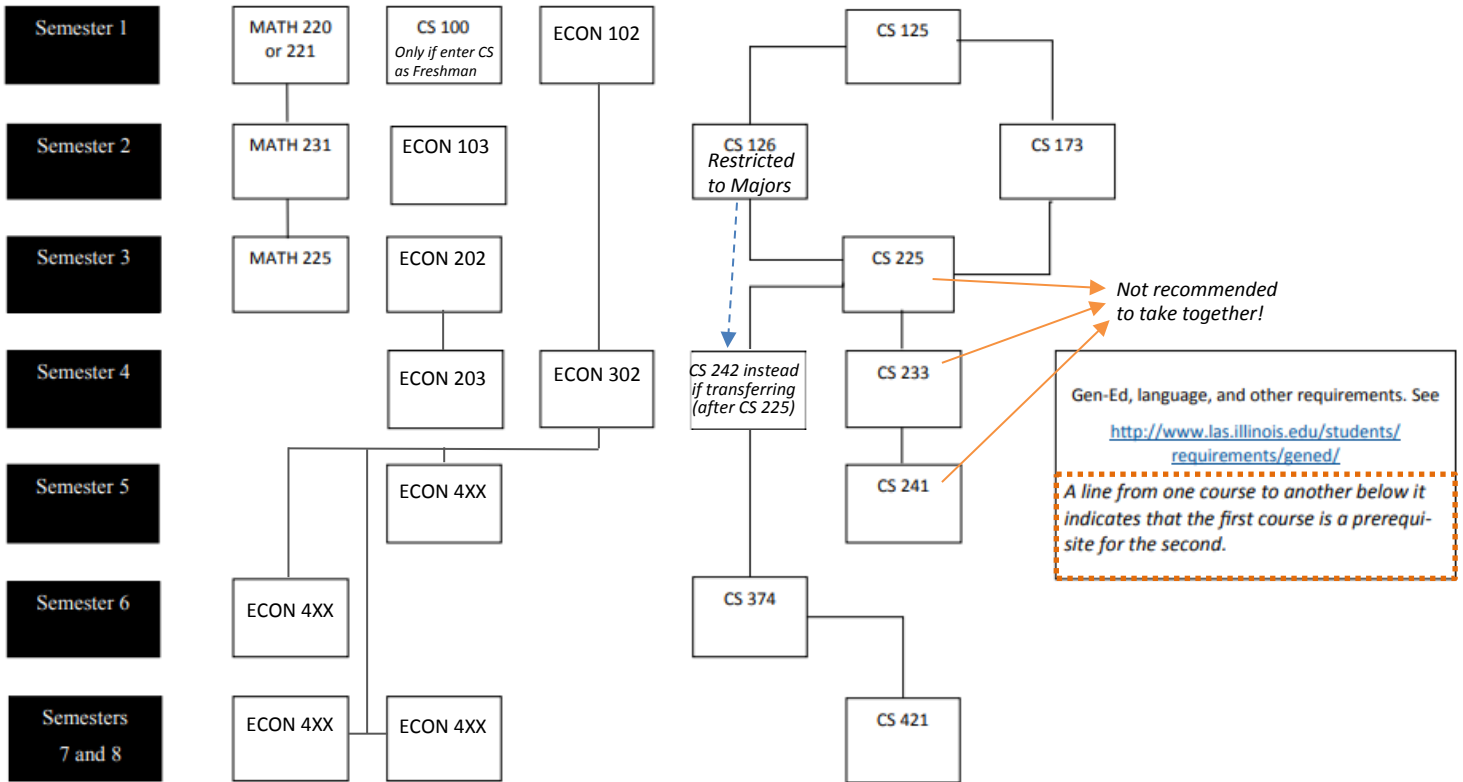
CS Course Major Requirements

- CS 100 Freshman Orientation
- CS 125 Intro to Computer Science
- CS 126 Software Design (CS 242 for transfers- prereq 225)
Prerequisite: CS 125
- CS 173 Discrete Structures
Prerequisites: CS 125 & MATH 220 or 221
- CS 225 Data Structures
Prerequisites: CS 125 & CS 173
- CS 233 Computer Architecture
Prerequisites: CS 125 & CS 173; Credit or concurrent enrollment in CS 225
- CS 241 System Programming
Prerequisites: CS 225; Credit or concurrent enrollment in CS 233
- CS 374 Algorithms & Models of Computation
Prerequisites: CS 225; MATH 225 or MATH 415
- CS 421 Programming Languages & Compilers
Prerequisites: CS 233 & CS 373

Expected Graduation Date: _____

NOTES: _____

Curriculum Flow Chart for the Computer Science + X Majors



If credit is earned for CS 225 and not yet taken CS 126, students must instead take CS 242 to meet degree requirements.

Declaring CS + ECON*:

On-campus students who would like to declare this major must meet the following criteria:

- **Grade of B or higher in at least two ECON courses taken on-campus**
 - Individual grades for each course must be a B or higher
 - All ECON courses taken at the time of declaring are considered
- **Grade of B+ or higher in CS 173 and CS 225**
 - Grade of B+ or higher in all CS courses taken at ILLINOIS
 - Individual grades used (not a combined GPA)
 - Students who earn proficiency or transfer credit in CS 173 and/or 225 must complete CS 233 then CS 241 at ILLINOIS with a minimum grade of B+
- **Cumulative GPA of 3.50 or higher**

*Please note: The Declaration Criteria for CS + ECON will change beginning Spring 2019 (see the LAS website below), and will require a portfolio and a holistic review done by LAS/CS

Visit the LAS Website for More Information: <http://www.las.illinois.edu/students/programs/declaring/>

Visit Econ Website for Additional Information:

<https://economics.illinois.edu/academics/undergraduate-program/majors-minor/cs-econ>

and

<https://cs.illinois.edu/academics/undergraduate/degree-program-options/cs-x-degree-programs>